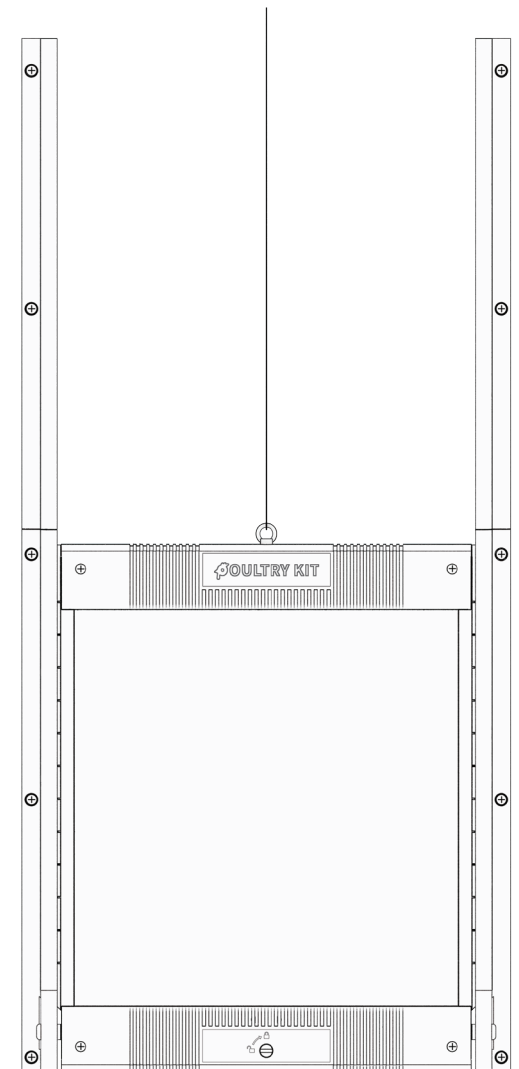


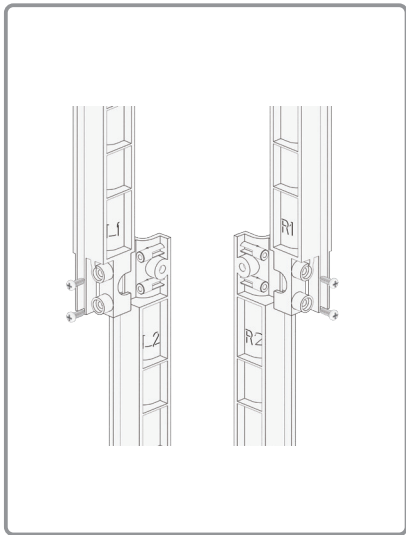
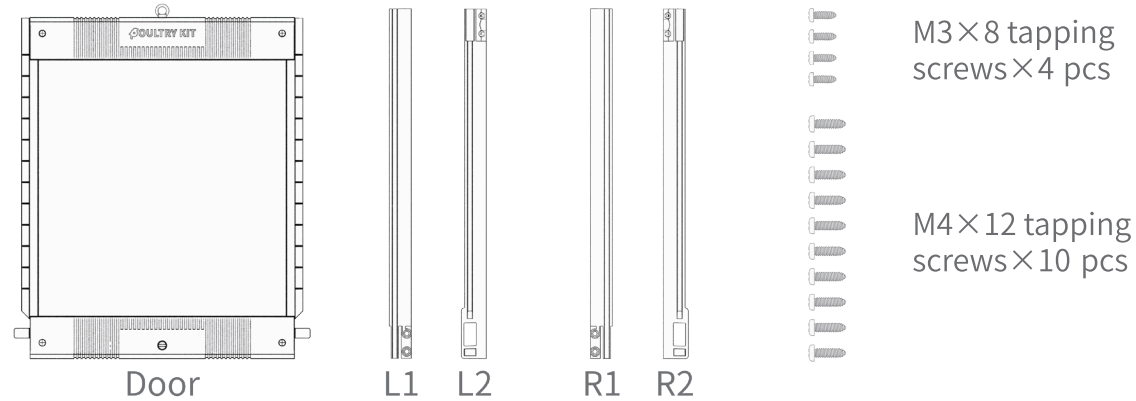
You can disengage the self-lock function by turning the lock to the lock position. To do this, ensure the door is fully open and using a screwdriver, rotate the lock clockwise. Useful to prevent the door freezing shut in winter.

SELF-LOCKING DOOR KIT



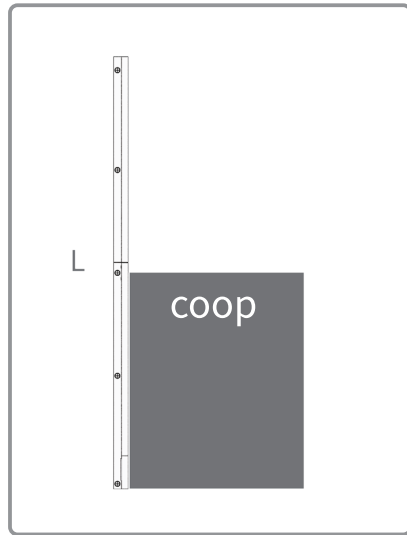
POULTRY KIT

CONTENTS



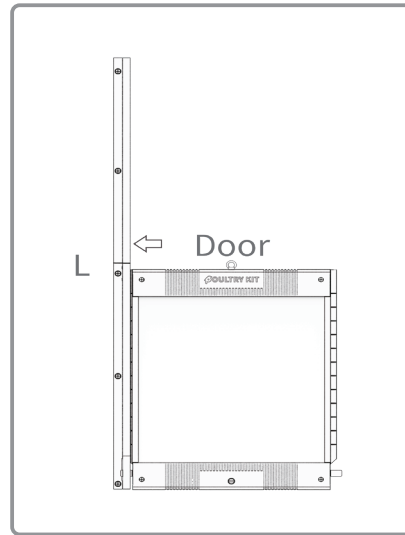
Step 1

Align and screw together runners L1 and L2 using 2 small screws. (runners R1 and R2 are assembled the same way)



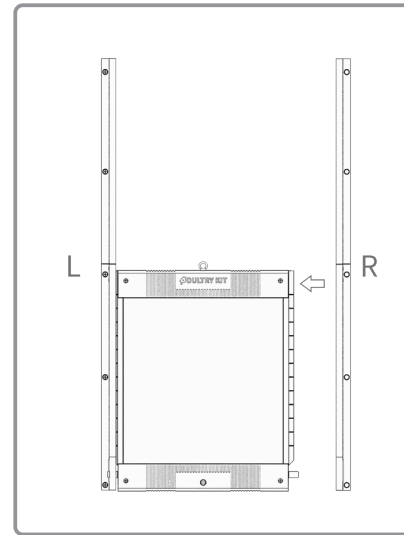
Step 2

Attach runner L to the left side of the coop using large screws.



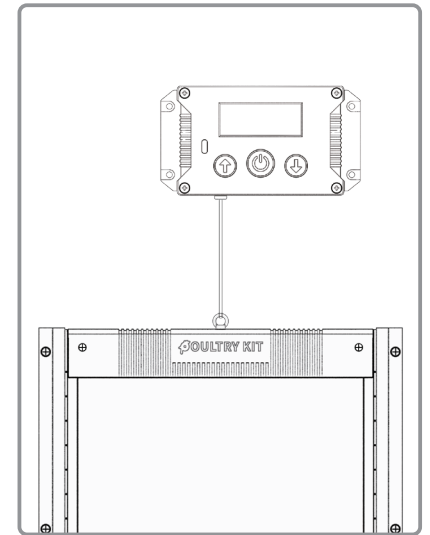
Step 3

Insert the door into runner L and ensure the locking bolt extends fully and locks securely in to place.



Step 4

Align the second runner to the right side of the door leaving a small gap to allow the door to move up and down smoothly. Attach the runner using large screws.



Step 5

Attach the cord from the door opener to the top of the door.